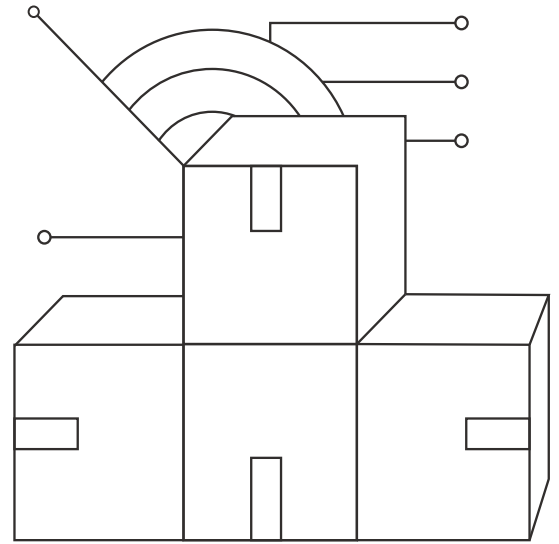


# Decision Intelligence to Power the NextGen Supply Chain



## Introduction

Supply chains today are vulnerable due to their inability to make timely and contextual decisions. They are designed around multiple siloed systems, making it difficult to improve their robustness. This problem is compounded by the presence of numerous applications, disconnected data, diverse processes, and multiple stakeholders.

## Tiger - SCAI

**Tiger-SCAI**, Tiger's unique offering for Supply Chain Intelligence, enhances visibility, agility, and resilience.

### We do this by:

Establishing a connected data foundation

Employing a human-centric approach to design and ensure the adoption of the solutions and processes



Leveraging modular AI and analytics solvers from the Tiger repository or other solutions

Evolving the solution one use case at a time, rather than a disruptive big bang approach.

# Hero Stories

Connected supply chain visibility for a leading CPG company

**\$200+ Million**

in revenue and cost opportunities with a connected end-to-end visibility program and platform across Customer Service, Warehousing, Logistics, Manufacturing, and Sustainability, enabled by a data fabric and virtual knowledge graphs and a modular architecture.

Improving forecast accuracy for a leading food major

**\$10 Million**

projected daily inventory holding cost reduction across 4k restaurants leveraging the Inventory Order recommendations and Labor Optimization solution deployed across ~11,000 stores in the US led to an estimated cost savings of \$70 Mn annually powered by day-part level accurate forecasts and machine learning algorithms.

Enabling supply chain decisions for a leading apparel major

**\$20Million**

in revenue uptick within 1 month of deployment leveraging Decision intelligence through advanced optimization solutions on steroids with a simulation factory to help connect the dots across these solutions. The solution is powered by synthetics data generation and generative AI.

## Tiger SCAI: Enabling supply chain decision intelligence

Supply chain planning and execution

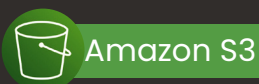
### SUPPLY CHAIN INTELLIGENCE

End to end visibility

Decision automation & optimization

Simulation

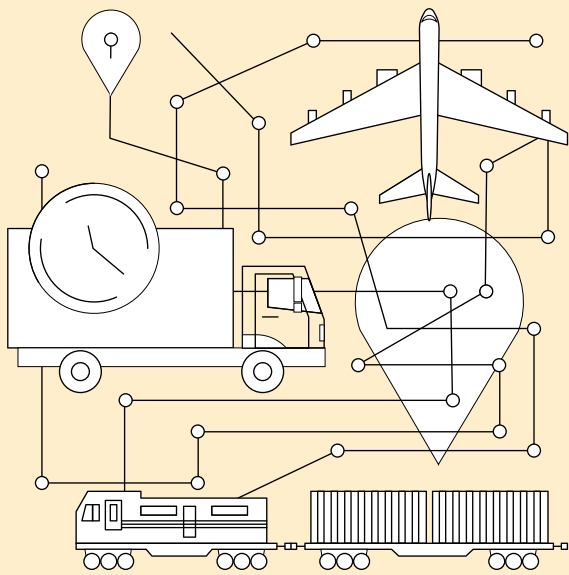
Connected data foundation



# Capabilities

## Connected Supply Chain visibility

- The solution consists of a set of pre-developed accelerators on all major clouds. It provides a robust connected data foundation that enables the business easy access to harmonized and pre-processed data, through the provision of a virtual semantic layer and knowledge graphs.
- An architectural approach enabling self-service through a microservices layer.
- A GenAI layer to help generate automated reporting on underlying KPIs.
- A unique human-centric approach to help develop a solution to meet the decision context.



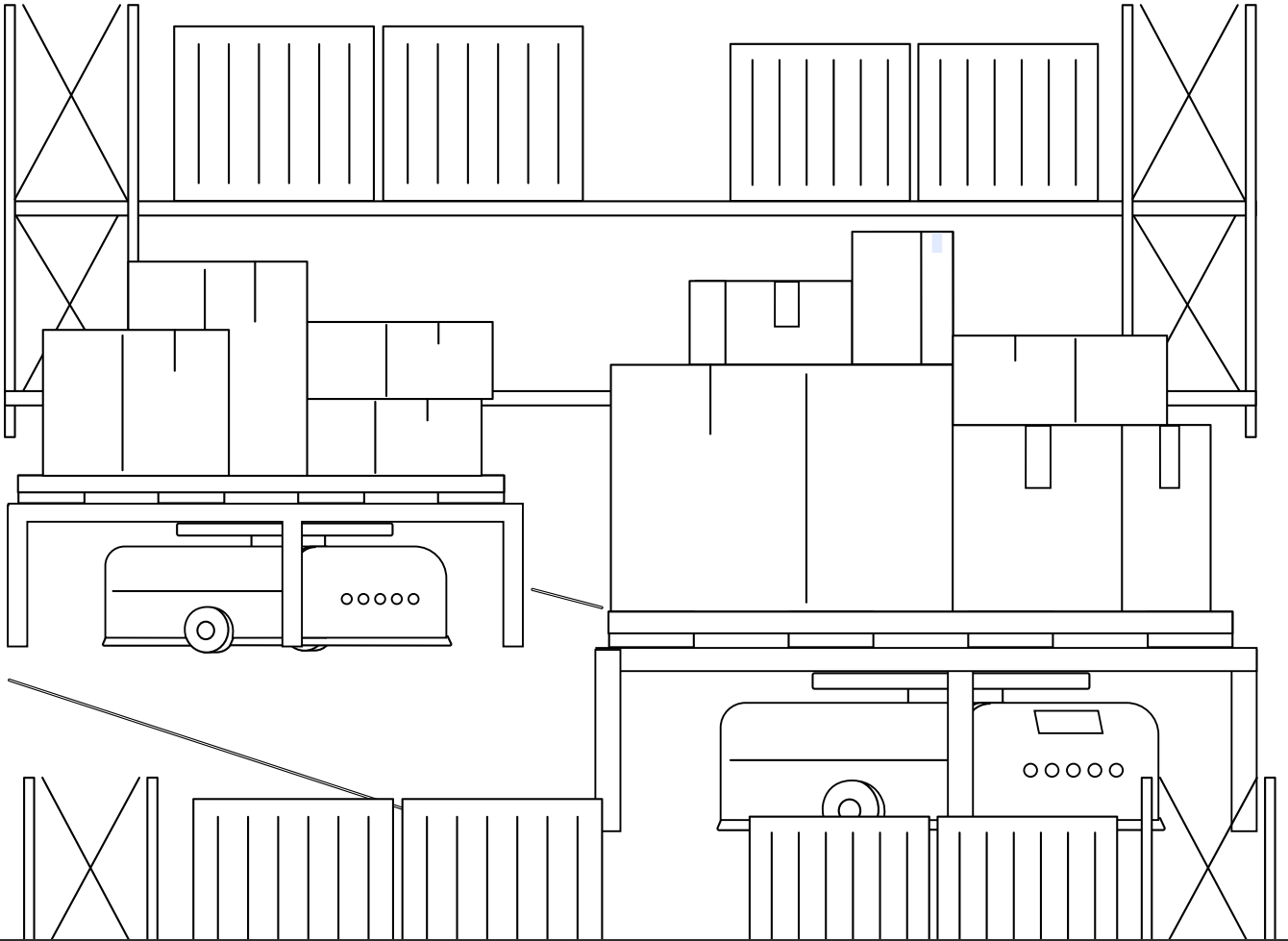
## Supply Chain Decision Intelligence

- Analytical code templates, are to be used as starting points to solve for a variety of use cases in the supply chain like forecasting, predictive maintenance, inventory management, transportation, procurement, etc. It also provides the ability to deploy, monitor and enhance the models automatically.
- The Open-IP-based approach gives our clients the ability to leverage their own analytical solutions as complementary to the Tiger-provided analytical assets.

## Simulation Factory

- A unique solution to help simulate real-world situations to enable decision-making. The simulator solution is enabled by components of:
  - **Synthetic data generator:** that helps generate multiple possible scenarios to be tested
  - **Flow module:** to help generate the flows to mimic the real-world situations
  - **Insights generator:** GenAI assesses the data outputs and automatically generates the insights for businesses to take action

**Reach out to us and learn how Tiger-SCAI can help you enhance visibility, agility, and resilience in your supply chain.**



## About Us

Tiger Analytics is a global leader in AI and analytics, helping Fortune 1000 companies solve their toughest challenges. We offer full-stack AI and analytics services & solutions to help businesses achieve real outcomes and value at scale. We are on a mission to push the boundaries of what AI and analytics can do to help enterprises navigate uncertainty and move forward decisively. Our purpose is to provide certainty to shape a better tomorrow.

Being a recipient of multiple industry awards and recognitions, we have **4200+** technologists and consultants, working from multiple cities in 5 continents.

**100+**

Fortune 1000 Clients  
Across Industries

**85%**

Repeat Business  
From Existing Clients

**1500+**

Cutting Edge Projects  
Advanced Analytics  
/ML/AI/Platforms

**4200+**

Data Scientists, Business  
Consultants & ML/Data  
Engineers



US | UK | Canada | India | Singapore | Australia